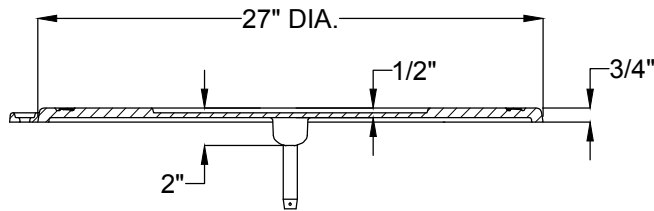
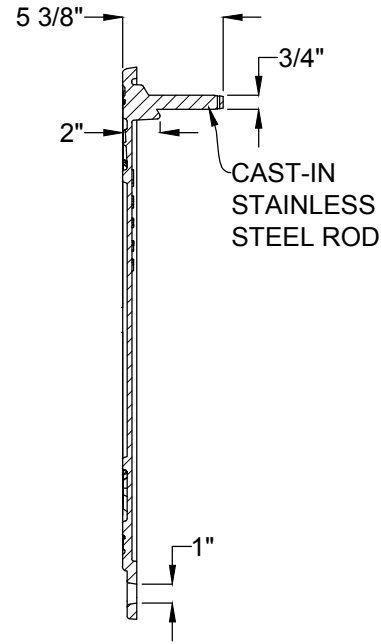


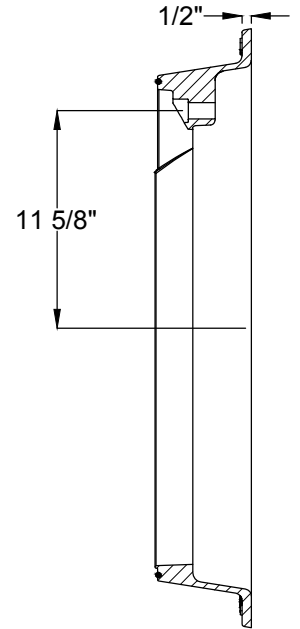
MIN. AVG. WT.	
FRAME	85 LBS
COVER	65 LBS
TOTAL	150 LBS



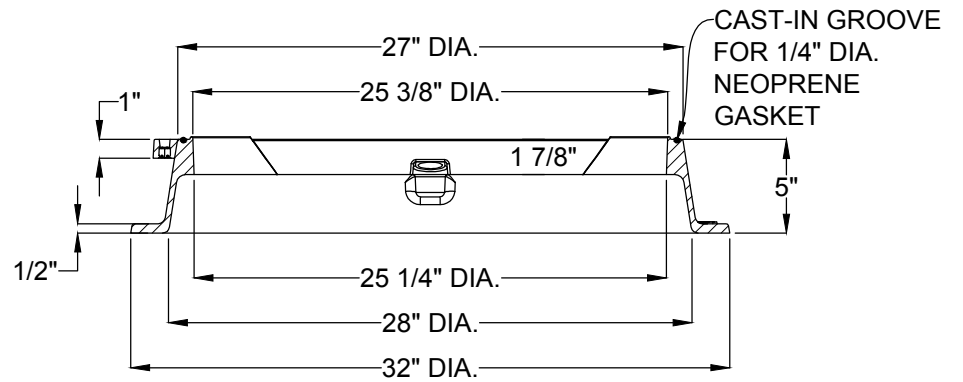
COVER SECTION A-A



COVER SECTION B-B



FRAME SECTION B-B



FRAME SECTION A-A

TOWN OF APEX
STANDARDS

EFFECTIVE: NOVEMBER 20, 2007

MANHOLE RING & ROTATING COVER FOR WATERTIGHT MANHOLES (NON-TRAFFIC ONLY)

STD. NO.

700.05

SHEET 2 OF 2