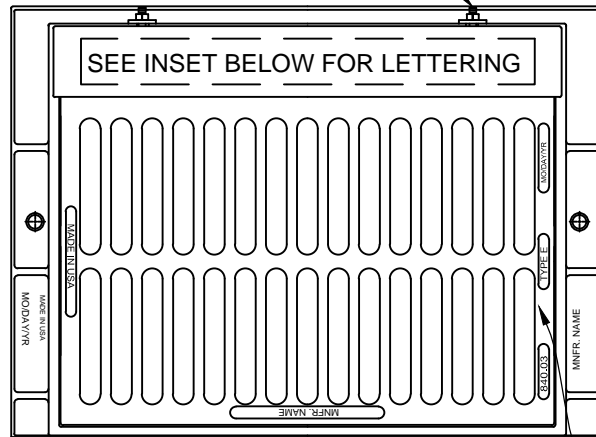
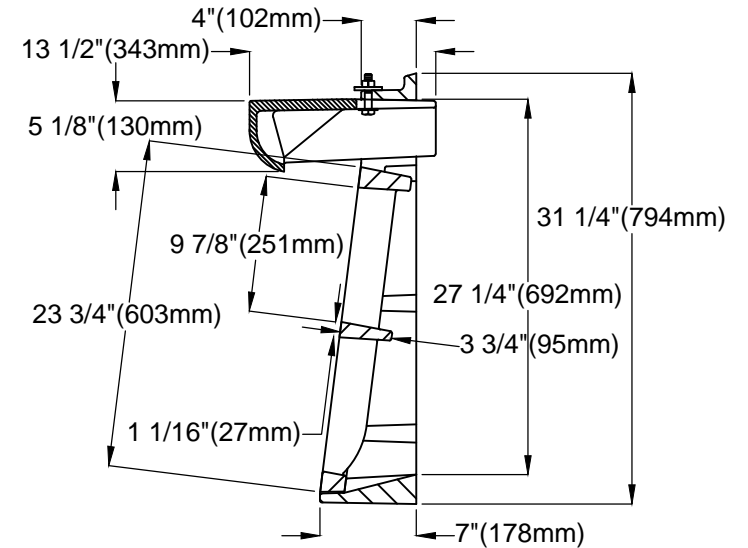


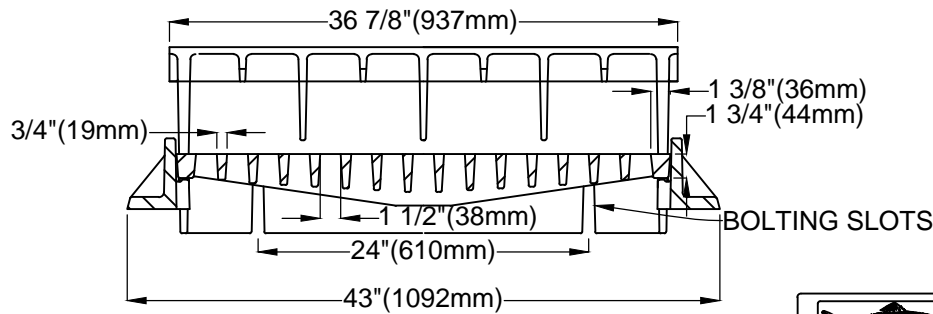
(2) 1/2"-13 HEX. BOLT. HEAVY NUT, WASHER & SPECIAL 2 x 2 x 2 x 1/4" STEEL WASHER



GRATE STYLE DEPENDENT UPON APPLICATION REFER TO DETAIL 5.03 FOR GRATE TYPE



SECTION



SECTION

HOOD LETTERING INSET

**DUMP NO WASTE! DRAINS TO WATERWAYS**

*MNFR NAME*      **MADE IN USA**      *MO/DY/YR*

TOWN OF APEX  
STANDARDS

EFFECTIVE: DECEMBER 3, 2002

## FRAME DETAIL FOR CATCH BASIN

STD. NO.

**500.08**

SHEET 1 OF 1