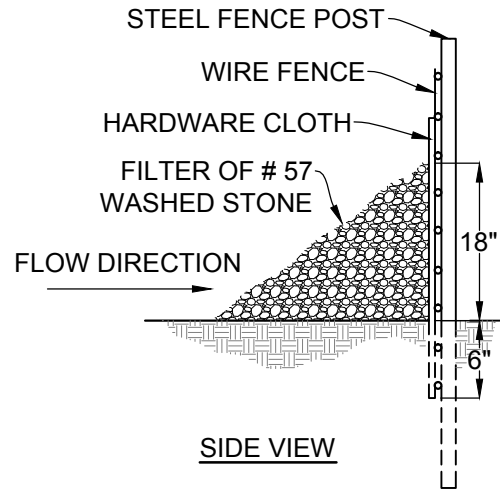


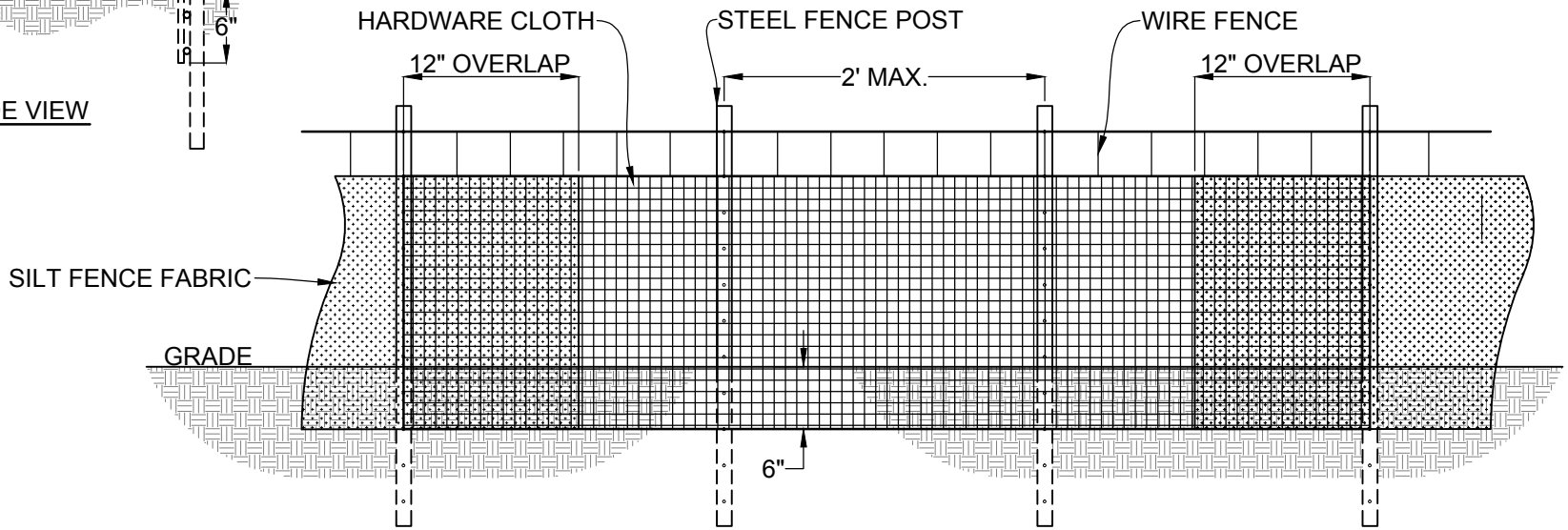
PLAN VIEW



SIDE VIEW

NOTE:

1. APPLICABLE FOR DRAINAGE AREAS NO MORE THAN 1/4 ACRE.
2. USE AS A REPAIR OF SILT FENCE FAILURES.
3. BURY WIRE FENCE, HARDWARE CLOTH, AND SILT FENCE FABRIC 6 INCHES.



FRONT VIEW

TOWN OF APEX
STANDARDS

EFFECTIVE: DECEMBER 21, 2010

TEMPORARY SILT FENCE OUTLET

STD. NO.

400.02

SHEET 1 OF 1