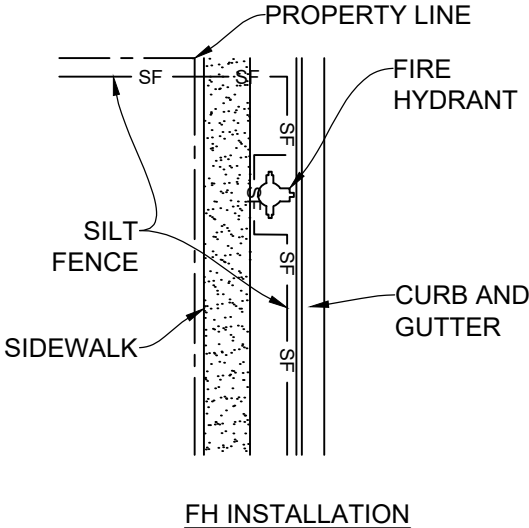
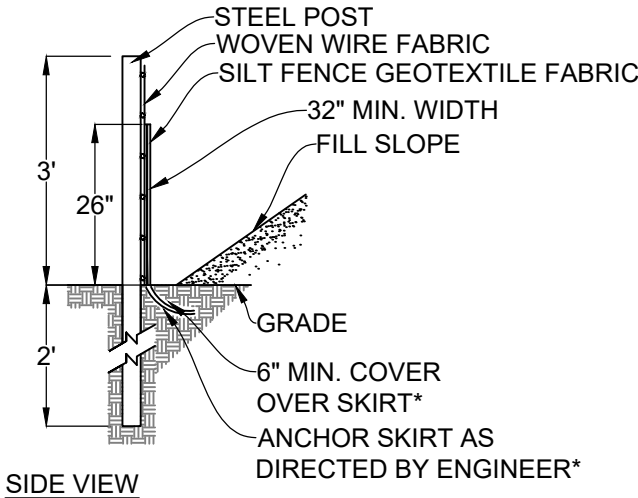
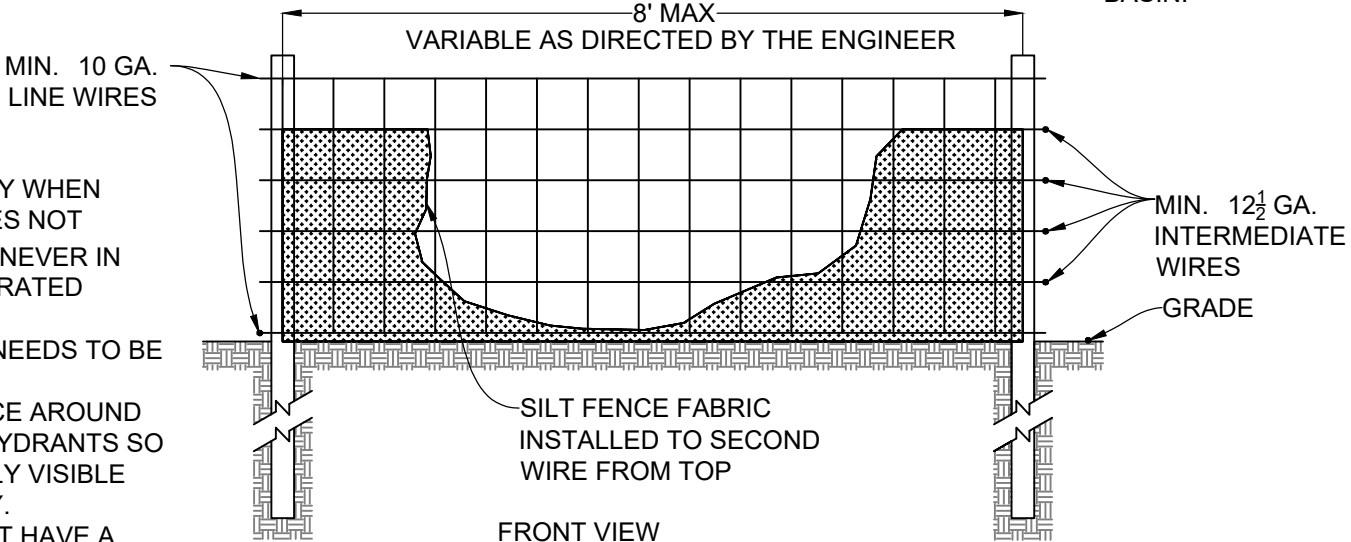


* USE #57 WASHED STONE FOR REPAIR OF SILT FENCE FAILURES, AND FOR ANCHOR WHEN SILT FENCE IS PROTECTING CATCH BASIN.

NOTES:

1. USE SILT FENCE ONLY WHEN DRAINAGE AREA DOES NOT EXCEED ¼ ACRE AND NEVER IN AREAS OF CONCENTRATED FLOW.
2. END OF SILT FENCE NEEDS TO BE TURNED UPHILL.
3. WRAP THE SILT FENCE AROUND ALL EXISTING FIRE HYDRANTS SO THAT THEY ARE FULLY VISIBLE FROM THE ROADWAY.
4. ALL SILT FENCE MUST HAVE A MINIMUM OF 5' OF CLEARANCE FROM THE FIRE HYDRANT.
5. MAINTENANCE SHALL OCCUR WHEN NECESSARY. SILT FENCE SHALL BE REPLACED EVERY 6 MONTHS AND POSTS SHALL BE INSPECTED TO ENSURE STRUCTURAL INTEGRITY. SILT FENCE SHALL BE INSPECTED WEEKLY AND ALL MAINTENANCE ISSUES SHALL BE CORRECTED AT THAT TIME.
6. SILT FENCE SHOULD BE A MINIMUM OF 5 FEET FROM THE TOE OF SLOPE.



TOWN OF APEX
STANDARDS

EFFECTIVE: MAY 5, 2020

TEMPORARY SILT FENCE

STD. NO.

400.01

SHEET 1 OF 2